

# Product data sheet

## Characteristics

# SSRPCDS25A1

solid state relay - panel mounting - input 3-32 V DC, output 24-280 V AC, 25A

Product availability: Non-Stock - Not normally stocked in distribution facility

Price\*: 41.90 USD



## Commercial status

This Product is Obsolete : JAN 23, 2021

**⚠ This Product is Obsolete**

## Main

Range of product	Zelio Relay
Product or component type	Solid state relay
Device short name	SSR
Phase	1 phase
Mounting support	Panel
Line Rated Current	25 A
Output voltage	24...280 V AC
[Uc] control circuit voltage	3...32 V DC

## Complementary

Contacts type and composition	1 NO
Tightening torque	<= 1.1 N.m for input <= 2.2 N.m for output
Local signalling	For input status LED (green)
Switching voltage	1 V DC turn-off 3 V DC turn-on
Input current limits	10 MA
Solid state output type	Zero voltage switching SCR output
Load current	0.15...25 A
Absolute maximum voltage	600 V
Surge current	250 A 16.6 ms
Maximum voltage drop	<1.6 V on-state
Thermal resistance	1.02 °C/W
Maximum I <sup>2</sup> t for fusing	260 A <sup>2</sup> .S 8.3 ms
Maximum leakage current	1 MA off-state
DV/dt	500 V/μs off-state at maximum voltage
Response time	0.5 cycle (turn-on) 0.5 cycle (turn-off)

## Environment

Standards	IEC 62314 CSA LR 40487 UL E258297 IEC 60950-1
Marking	CE
IP degree of protection	IP20
Ambient air temperature for operation	-40...176 °F (-40...80 °C)
Ambient air temperature for storage	-40...257 °F (-40...125 °C)

## Ordering and shipping details

Category	22375 - INTERFACE MODULE(ABA,R,S)
Discount Schedule	CP2
GTIN	00785901593362
Nbr. of units in pkg.	1
Package weight(Lbs)	0.26 Lb(US) (0.12 kg)
Returnability	No
Country of origin	MX

## Packing Units

Package 1 Height	0.380 Dm
Package 1 width	0.650 Dm
Package 1 Length	0.480 Dm

## Contractual warranty

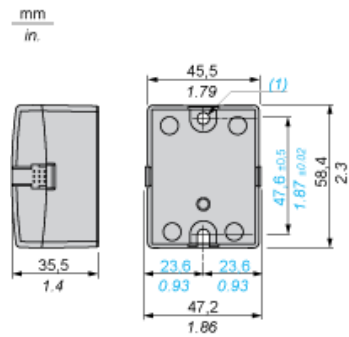
Warranty	18 months
----------	-----------

---

Dimensions

---

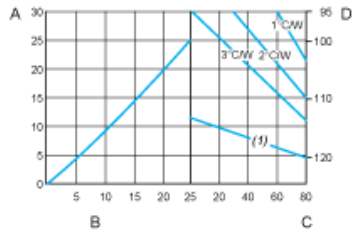
Panel Mounting



(1)  $\text{Ø}4.9 \pm 0.25 \text{ mm} / \text{Ø}0.016 \pm 0.0098 \text{ in. hole}$

Thermal Derating Curves

25 A Relays



- A: Power dissipation
- B: Load current (Arms)
- C: Max. ambient temperature (°C)
- D: Base plate temperature (°C)
- (1) No heat sink

Note : These are typical curves, actual durability depends on load, environment, duty cycle, etc.

Product Life Status : **End of commercialisation**

SSRPCDS25A1 is replaced by the following product range:



60278

A complete range of innovative, smart and reliable solid state relays - SSL - SSM - SSP

Substitution date: |



SSP1A125BDT

Harmony, Solid state relay, 25 A, panel mount, zero voltage switching, thermal pad, input 3...32 V DC, output 24...300 V AC

Qty 1

Substitution date: |